



Manufacturer of the CROSSFIRE™ Brass Burner

1695 WEST SHERI LANE  
LITTLETON, COLORADO 80120  
(T) 303.346.2224  
(F) 303.346.2225  
info@warming-trends.com  
www.warming-trends.com

**Notes:**

1. For outdoor/interior use only.
2. Modification of product will void any certification and warranty.
3. Follow all installation instructions and local codes.
4. Recommended to be installed by a certified plumbing professional.
5. All dimensions are true and reflect Warming Trends' specifications as of the Revision Date.

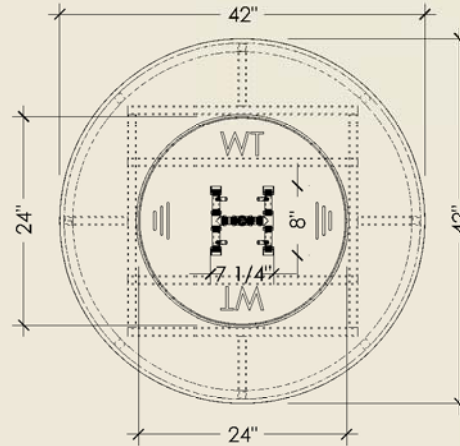
**FC42**

**PRODUCT DESCRIPTION:**

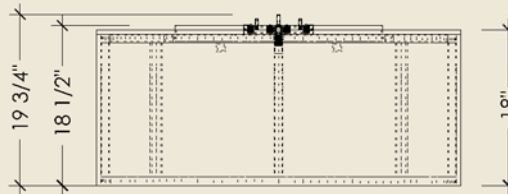
The FC42, the 42" Round Fire Pit Kit, is the perfect fire pit kit to help build that dream fire pit. Made with an aluminum frame and finished with a concrete board surrounding. The FC42 comes with a standard 24" aluminum pan and 60K burner. Operates on either Natural Gas (NG) or Liquid Propane (LP). Can be customized to fit your needs. Please discuss these options with your sales representative.

**FC42:**

MAX OUTPUT: 60,000 BTU WEIGHT: ##lbs. DIMENSION: 42"L x 42"W x 19 3/4"H



**TOP ELEVATION**



**FRONT ELEVATION**



FC42 - 42" Round Fire Pit Kit shown with the MLS60 burner. Other burner options available.

**LEGAL INFORMATION:**

ALL RIGHTS RESERVED. INFORMATION IN THIS DOCUMENT IS CONFIDENTIAL AND IS EXCLUSIVE PROPERTY OF WARMING TRENDS. DELIVERY OF THIS DOCUMENT OR ANY COPY THEREOF OR DISCLOSURE OF SUCH INFORMATION TO UNAUTHORIZED PERSONS IS FORBIDDEN WITHOUT EXPRESSED WRITTEN PERMISSION OF WARMING TRENDS.

REVISION DATE 03/10/2015